

LED T8 TUBE

AC Direct Line Voltage



The LED T8 Tube with internal driver is used for general illumination for homes, offices, restaurants, hotels, malls, buses, trains, warehouses, parking lots, or wherever accent lighting is required.

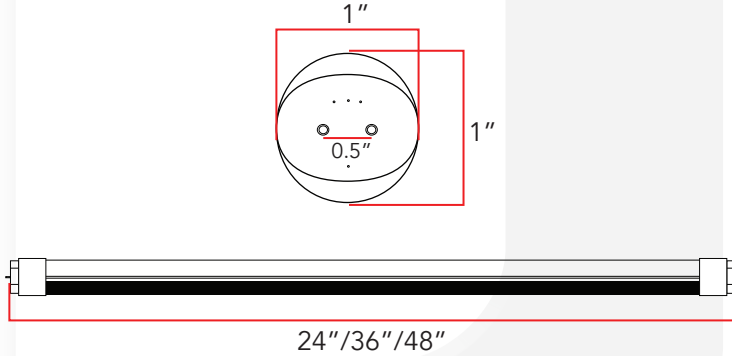


-Aluminum & Plastic (available with standard frosted lens or custom clear lens)



-Nano All Plastic Lens

DIMENSIONS



CERTIFICATIONS



FEATURES

- Energy savings up to 70%
- No infrared rays, no ultraviolet radiation. and no thermal effect
- Works only on non-shunted sockets
- Soft and wide light emitting
- Minimize labor and recycling costs
- Special circuit design, avoiding the single broken LED influence problem
- UL Type B
- Instant start without flickering, humming, or RF interference
- High efficiency constant current drive system
- Heat protection system allows performance under unstable voltage
- 5 Year Manufacturer's Warranty

COMMON TECHNICAL DATA

Color Temperature	3000K to 5000K
Beam Angle	120° (Aluminum) 320° (Nano Plastic)
CRI	>80
Operation Temperature	-20°C to 50°C
Lumen efficiency	140 LPW
Input Voltage	AC100-277V/ 347V
Frequency	50-60Hz
Power Supply Efficiency	90%
Rated Life	50,000 hrs.
Power Factor	More than 0.99
LED Type	SMD 2835
Housing	Aluminum Nano All Plastic Lens

WARRANTY

This product has a warranty for a period of 5 years from the date of purchase. The warranty is invalid in the case of improper installation, tampering, or removal of the Q.C. date label. Installation in an improper working environment or installation not according to the current edition of the National Electric Code also invalidates the warranty. Should this product fail during the warranty period, it will be replaced free of charge, subject to correct installation and return of the faulty unit. JL Lighting does not accept responsibility for any installation costs associated with the replacement of this product. This warranty is in addition to the statutory rights in the country of purchase. JL Lighting reserves the right to alter specifications without prior notice.

PRODUCT SPECIFICATION

Model Number	Housing	Length	Wattage	Color	Lumens	Input Voltage	QTY/CTN
ZY-T8-10W600 BINS	Aluminum & Plastic	24"	10W	3000K-5000K	1400	AC100-277V	30pcs/CTN
ZY-T8P-10W600 BINS	Nano All Plastic Lens						42pcs/CTN
ZY-T8-10W900 BINS	Aluminum & Plastic	36"	10W	3000K-5000K	1400	AC100-277V	30pcs/CTN
ZY-T8P-10W900 BINS	Nano All Plastic Lens						42pcs/CTN
ZY-T8-15W900 BINS	Aluminum & Plastic	36"	15W	3000K-5000K	2100	AC100-277V	30pcs/CTN
ZY-T8P-15W900 BINS	Nano All Plastic Lens						42pcs/CTN
ZY-T8-12W1200 BINS	Aluminum & Plastic	48"	12W	3000K-5000K	1680	AC100-277V	30pcs/CTN
ZY-T8P-12W1200 BINS	Nano All Plastic Lens						42pcs/CTN
ZY-T8-15W1200 BINS	Aluminum & Plastic	48"	15W	3000K-5000K	2100	AC100-277V	30pcs/CTN
ZY-T8P-15W1200 BINS	Nano All Plastic Lens						42pcs/CTN
ZY-T8-18W1200 BINS	Aluminum & Plastic	48"	18W	3000K-5000K	2520	AC100-277V	30pcs/CTN
ZY-T8-20W1200 BINS	Aluminum & Plastic						30pcs/CTN
ZY-T8-22W1200 BINS	Aluminum & Plastic	48"	22W	3000K-5000K	3080	AC100-277V	30pcs/CTN

* All stock lamps have frosted lens.
* Clear lens lamps are custom order.

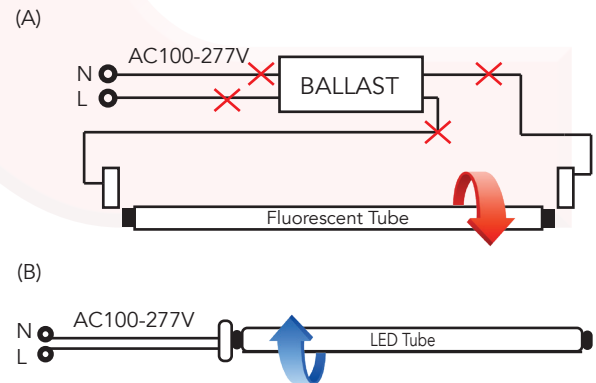
ORDERING GUIDE

ZY	T8/T8P	10W/12W/15W/ 18W/20W	600/900/1200	B	I	NS	3000K-5000K
Company Code	Housing Type	Wattage	Length	2835 LED	Internal Driver	Input Type	CCT

INSTALLATION INSTRUCTIONS

Retrofit Procedure:

1. Turn OFF power to the fixture at the breaker panel before installation.
2. Open the diffuser from the light fixture.
3. Remove the fluorescent tubes and dispose of these properly as they may contain mercury.
4. Cut wires as shown on diagram (A).
5. Make new wire connection to the branch circuit as shown on diagram (B).
6. Replace the cover over the wiring channel.
7. Install the LED tubes and close the diffuser.
8. Switch ON power to the fixture at the breaker panel



CAUTION

- Risk of fire- do not install this lamp in a pre-heated luminaire.
- Loose or damaged end caps and/or lamp holders need to be replaced before installation.
- Risk of electric shock- make installation with gloves.
- Use only in place of fluorescent lamps specified on label.
- These lamps are not intended for use with emergency exit fixtures, emergency exit lights or battery backup devices.
- LED tube is powered from one end (Single-ended power); the other end is NOT live and only serves to secure and mount LED tube in the sockets.
- These lamps are not to be used with a light dimmer.
- If the lamp or luminaire exhibits undesirable operation (i.e. buzzing, flickering, etc.), immediately turn off power and remove the lamp from luminaire and contact manufacturer.
- Do not install an LED tube into luminaire containing a ballast and/or starter- they must be removed prior to installation.
- Do not make mass installation before sample testing.