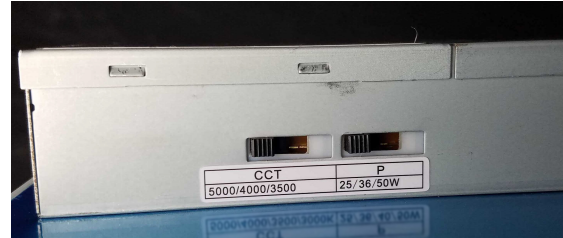


# MAGIC TROFFER PRO

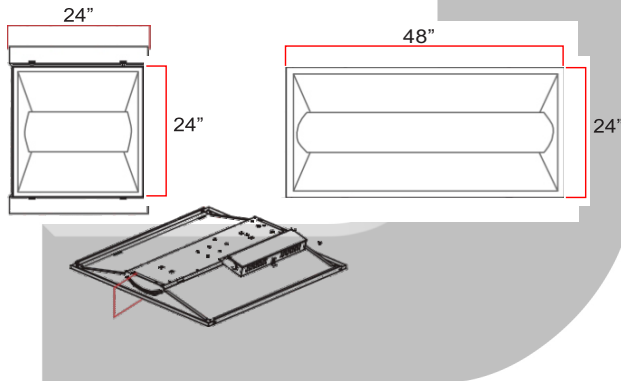
Watt & Color Tuneable LED Troffer



The Magic Troffer Pro is typically used to retrofit 2x2 and 2x4 fluorescent troffers. The LED Troffer Fixtures are designed to retrofit in drop ceilings in offices, schools, showrooms, airports, retail locations and healthcare facilities. The Fixture utilizes an ultra modern design with an industry leading 135 LPW. The watt and color changing abilities make this fixture flexible, reducing SKU's and providing options for different applications all in one fixture.



## DIMENSIONS



## CERTIFICATIONS



## FEATURES

- Quick installation
- External UL Listed Class 2 Constant Current Driver
- Comes with mounting brackets
- Suitable for damp locations
- Minimize labor and recycling costs
- 0-10V Dimming
- No Maintenance
- 5 Year Warranty

## COMMON TECHNICAL DATA

|                       |                   |
|-----------------------|-------------------|
| Color Temperature     | 3500K/4000K/5000K |
| Beam Angle            | 120 Degrees       |
| CRI                   | > 80              |
| Operation Temperature | -30°C to 40°C     |
| Efficiency            | More than 135 LPW |
| Input Voltage         | 100-277VAC        |
| Input Frequency       | 50/60Hz           |
| Power Factor          | More than 0.99    |
| Rated Life            | 50,000 hours      |
| LED Type              | SMD 2835          |
| Housing               | Steel+PC          |
| Dimming               | 0-10V             |

## WARRANTY

This product has a warranty for a period of 5 years from the date of purchase. The warranty is invalid in the case of improper installation, tampering, or removal of the Q.C. date label. Installation in an improper working environment or installation not according to the current edition of the National Electric Code also invalidates the warranty. Should this product fail during the warranty period, it will be replaced free of charge, subject to correct installation and return of the faulty unit. JL Lighting does not accept responsibility for any installation costs associated with the replacement of this product. This warranty is in addition to the statutory rights in the country of purchase. JL Lighting reserves the right to alter specifications without prior notice.

# MAGIC TROFFER PRO

Watt & Color Tuneable LED Troffer



## PRODUCT SPECIFICATION

| Product Number   | Length (FT) | Wattage Changeable | Voltage    | Max Lumens | Dimmable | CCT Changeable    |
|------------------|-------------|--------------------|------------|------------|----------|-------------------|
| ZY-T4-15-36W XDZ | 2'x2'       | 15/25/36W          | AC100-277V | 3400       | 0-10V    | 3500K/4000K/5000K |
| ZY-T7-25-50W XDZ | 2'x4'       | 25/36/50W          | AC100-277V | 6750       | 0-10V    | 3500K/4000K/5000K |

## ORDERING GUIDE

|              |       |                 |         |                   |
|--------------|-------|-----------------|---------|-------------------|
| ZY           | T4/T7 | 15W/25W/36W/50W | XDZ     | 3500K/4000K/5000K |
| Company Code | Size  | Wattage         | Dimming | CCT               |

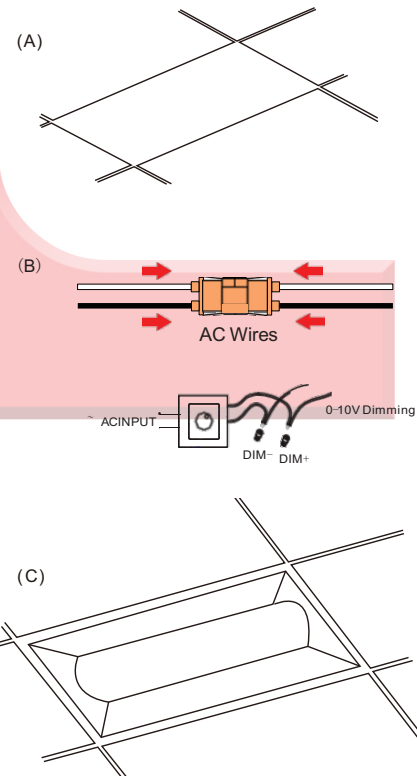
## INSTALLATION INSTRUCTIONS

Retrofit Procedures:

1. Turn OFF power to the fixture at the breaker panel before installation.
2. Open the diffuser from the light fixture.
3. Remove the fluorescent tubes and dispose of these properly as they may contain mercury.
4. Remove the ballast cover and disconnect host fixture ballast from main.
5. Remove existing lamps, door frame (if applicable), reflector and ballast cover.

Depending on clearance space, ballast may need to be removed(A).

6. Connect AC wires and/or dimming wires (B).
7. Recessed the troffer to the ribs of ceiling (C).
8. Turn on the power to the lamp



## CAUTION

- Risk of fire- do not install this lamp in a pre-heated luminaire.
- Risk of electric shock- make installation with gloves.
- Access above ceiling required. DO NOT cover fixture with insulation liner or similar material.
- These lamps are to be used with a light dimmer.
- If the lamp or luminaire exhibits undesirable operation (i.e. buzzing, flickering, etc.), immediately turn off power and remove the lamp from luminaire and contact manufacturer.
- Do not make mass installation before sample testing.