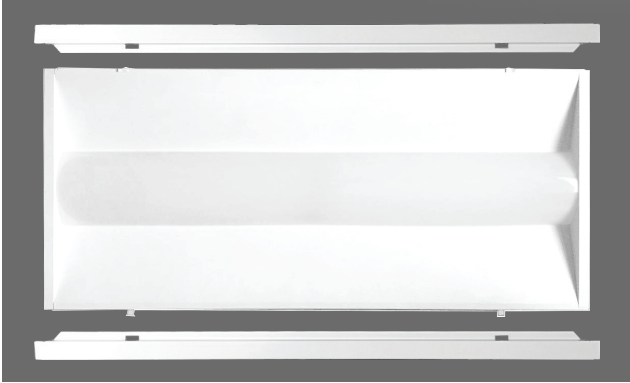


MAGIC TROFFER PRO DOOR KIT

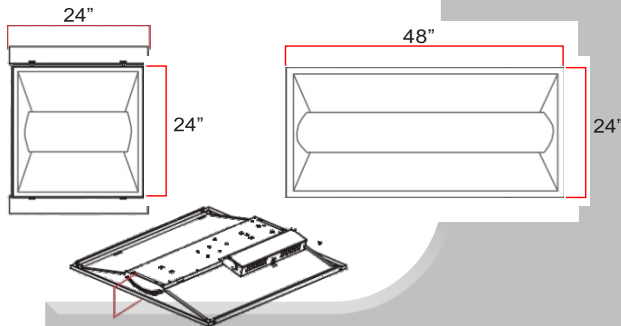
Watt & Color Tuneable LED Troffer Door Kit



The Magic Troffer Pro Door Kit is typically used to retrofit 2x2 and 2x4 fluorescent troffers. The LED Troffer Door Kits are designed to retrofit in drop ceilings in offices, schools, showrooms, airports, retail locations and healthcare facilities. The Fixture utilizes an ultra modern design with an industry leading 135 LPW. The watt and color changing abilities make this fixture flexible, reducing SKU's and providing options for different applications all in one fixture. The included door kit hardware makes mounting into existing troffer housings easy for quick and secure installation.



DIMENSIONS



CERTIFICATIONS



FEATURES

- Quick installation
- External UL Listed Class 2 Constant Current Driver
- Comes with mounting brackets
- Suitable for damp locations
- Minimize labor and recycling costs
- 0-10V Dimming
- No Maintenance
- 5 Year Warranty

COMMON TECHNICAL DATA

Color Temperature	3500K/4000K/5000K
Beam Angle	120 Degrees
CRI	> 80
Operation Temperature	-30°C to 40°C
Efficiency	More than 135 LPW
Input Voltage	100-277VAC
Input Frequency	50/60Hz
Power Factor	More than 0.99
Rated Life	50,000 hours
LED Type	SMD 2835
Housing	Steel+PC
Dimming	0-10V

WARRANTY

This product has a warranty for a period of 5 years from the date of purchase. The warranty is invalid in the case of improper installation, tampering, or removal of the Q.C. date label. Installation in an improper working environment or installation not according to the current edition of the National Electric Code also invalidates the warranty. Should this product fail during the warranty period, it will be replaced free of charge, subject to correct installation and return of the faulty unit. JL Lighting does not accept responsibility for any installation costs associated with the replacement of this product. This warranty is in addition to the statutory rights in the country of purchase. JL Lighting reserves the right to alter specifications without prior notice.

MAGIC TROFFER PRO DOOR KIT

Watt & Color Tuneable LED Troffer Door Kit



PRODUCT SPECIFICATION

Product Number	Length (FT)	Wattage Changeable	Voltage	Max Lumens	Dimmable	CCT Changeable
ZY-R4-36W XDZ	2'x2'	15W/25W/36W	AC100-277V	135 LPW	0-10V	3500K/4000K/5000K
ZY-R7-50W XDZ	2'x4'	25W/36W/50W	AC100-277V	135 LPW	0-10V	3500K/4000K/5000K

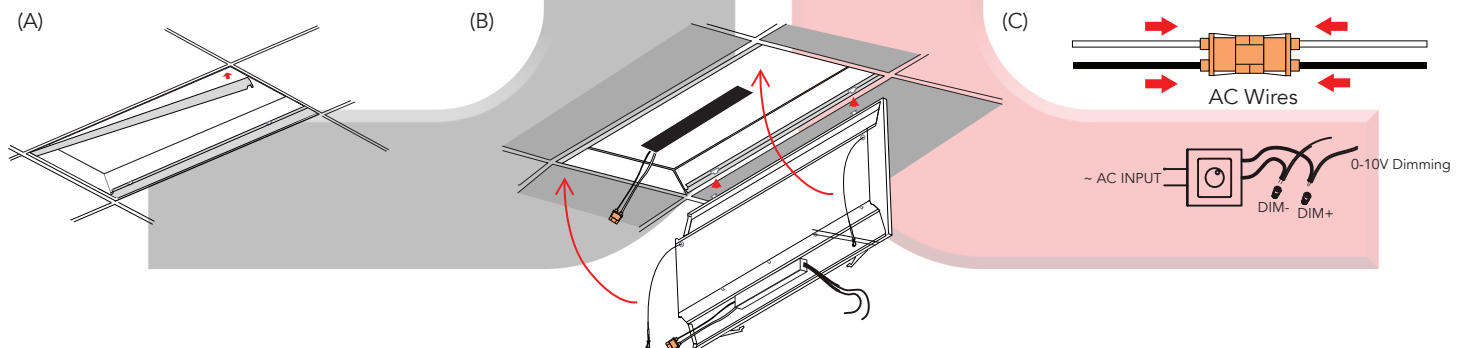
ORDERING GUIDE

ZY Company Code	R4/R7 Size	15W/25W/36W/50W Wattage	XDZ Dimming	3500K-5000K CCT
--------------------	---------------	----------------------------	----------------	--------------------

INSTALLATION INSTRUCTIONS

Retrofit Procedure:

1. Turn OFF power to the fixture at the breaker panel before installation.
2. Open the diffuser from the light fixture.
3. Remove the fluorescent tubes and dispose of these properly as they may contain mercury.
4. Remove the ballast cover and disconnect host fixture ballast from main.
5. Remove existing lamps, door frame (if applicable), reflector and ballast cover. Depending on clearance space, ballast may need to be removed.
6. Slide in both mounting brackets between the housing and the T-grid (A).
7. Hang the retrofit kit body by hooking the T-hinges into the slots and attach the safety cables to the opposing bracket (B).
8. Connect AC wires and/or dimming wires (C).
9. Close door kit pushing it up and securing the bracket with the latches.
10. Switch ON power to the fixture at the breaker panel



CAUTION

- Risk of fire- do not install this lamp in a pre-heated luminaire.
- Risk of electric shock- make installation with gloves.
- Access above ceiling required. DO NOT cover fixture with insulation liner or similar material.
- These lamps are to be used with a light dimmer.
- If the lamp or luminaire exhibits undesirable operation (i.e. buzzing, flickering, etc.), immediately turn off power and remove the lamp from luminaire and contact manufacturer.
- Do not make mass installation before sample testing.