

Magic Tube Pro

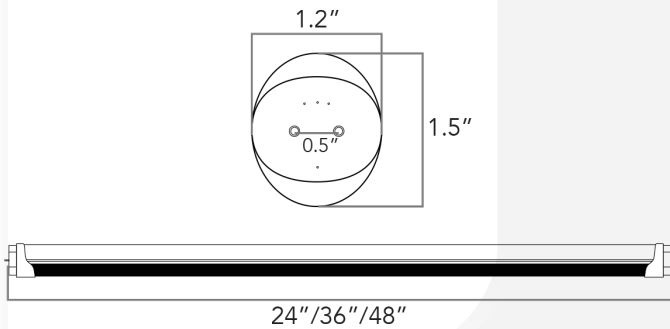
Tuneable T8 LED Tube



The Magic Tube Pro is the adjustable version of the T8 LED Magic Tube. An integrated switch on the tube housing allows adjustment between watt outputs for a diverse application within one single fixture.



DIMENSIONS



CERTIFICATIONS



FEATURES

- 130 Lumens per Watt
- 140 Degree Beam Angle
- Aluminum Housing with Plastic Diffuser Lens
- Works with or without a ballast
- 50,000 Hour Life
- 5 Year Warranty

COMMON TECHNICAL DATA

Color Temperature	3500K/4000K/5000K	Input Voltage with Ballast	AC100-277V/347V
Beam Angle	140 degree	Input Voltage without Ballast	AC100-277V
Color Consistency	4 steps	Frequency	50-60Hz
CRI	More than 80	Power Factor	More than 0.95
Working Temperature	-30°C (-22°F) to +40°C (104°F)	Lifespan	>50,000 hours
Efficiency with Ballast	130lm/W±5%	LED Chip	SMT 2835
Efficiency without Ballast	135lm/W±5%	Housing	Aluminum

WARRANTY

This product has a warranty for a period of 5 years from the date of purchase. The warranty is invalid in the case of improper installation, tampering, or removal of the Q.C. date label. Installation in an improper working environment or installation not according to the current edition of the National Electric Code also invalidates the warranty. Should this product fail during the warranty period, it will be replaced free of charge, subject to correct installation and return of the faulty unit. JL Lighting does not accept responsibility for any installation costs associated with the replacement of this product. This warranty is in addition to the statutory rights in the country of purchase. JL Lighting reserves the right to alter specifications without prior notice.

Magic Tube Pro

Tuneable T8 LED Tube



PRODUCT SPECIFICATION

Product Number	Watt	LPW	CCT	Length	Pcs/Ctn
ZY-T8-15W/12W/10W BIXX	15W/12W/10W	130	5000K	48"	30
ZY-T8-20W/18W/15W BIXX	20W/18W/15W	130	5000K	48"	30
X	X	X	X	X	X

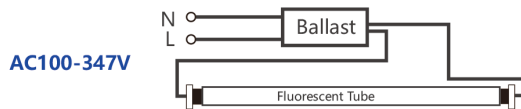
ORDERING GUIDE

ZY	T8	20W/18W/15W/10W	BIXX	5000K
Company Code	Housing Type	Wattage	Model	CCT

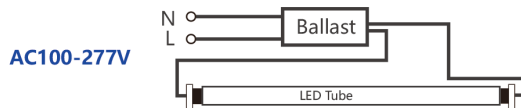
INSTALLATION INSTRUCTIONS

" Plug" and " Play" procedure

1. Turn off the power to the light fixture at the breaker panel before installation.
2. Open the diffuser from the light fixture.
3. Remove the fluorescent tube. Please dispose of these items properly as they contain mercury.



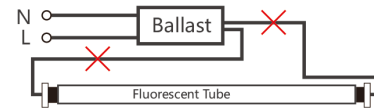
4. Put LED tube into the lighting fixture.



5. Install the LED tube, close the diffuser.
6. Turn on the power.

Retrofit procedure

1. Turn off the power to the light fixture at the breaker panel before installation.
2. Open the diffuser from the light fixture.
3. Remove the fluorescent tube. Please dispose of these items properly as they contain mercury.
4. Cut the wires shown as the diagram below.



5. Make the new wire connect to branch circuit shown as the diagram below.
6. Replace the cover over the wiring channel.
7. Install the LED tube, close the diffuser.



8. Turn on the power.