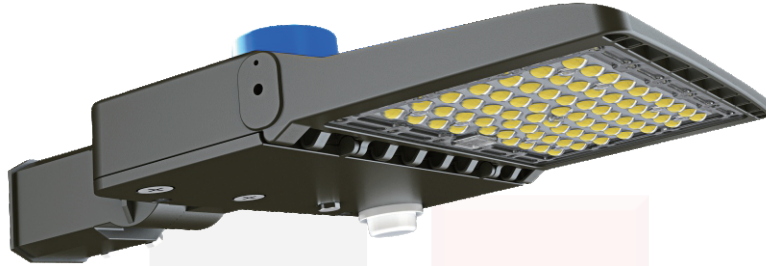


Magic Pro Area Light

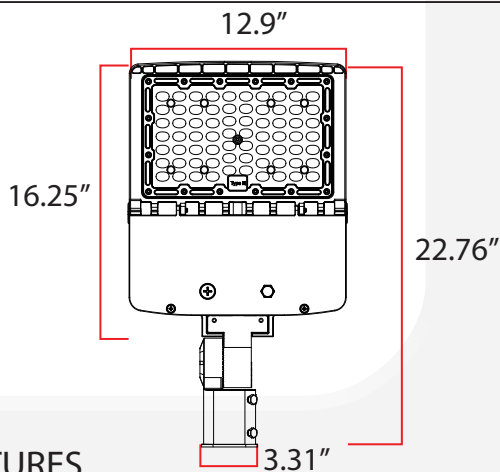
Tuneable Outdoor LED Area Light (F Series)



The Magic Pro Area Light is an adjustable LED Outdoor Shoe Box Fixture. A manual switch on the solid aluminum fixture allows switching watt outputs to provide proper lighting for most applications. Photocell sensor is included with this slip fitter mountable outdoor light. This is the Magic Pro Area Light (F Series) of the Magic Pro series of tuneable LED light fixtures.



DIMENSIONS



CERTIFICATIONS



FEATURES

- Adjustable Watt Output
- 140 Lumens per Watt
- IP65 Rating
- Photocell Sensor
- Slip Fitter Mounting Standard
- Multiple Mounting Options Available
- Die Cast Aluminum Housing Powdercoated Bronze
- Clear IR Lens
- Wide Beam Angle
- Motion Sensor Optional
- 0-10V Dimmable
- 5 Year Warranty

COMMON TECHNICAL DATA

Color Temperature	5000K
Beam Angle	Wide & Short
CRI	80
Operation Temperature	-20F to 140F
Lumen Efficiency	140 Lumens per Watt
Input Voltage	AC100-277V
Frequency	50/60Hz
Power Supply Efficiency	94%
Rated Life	50,000 Hours
Power Factor	0.95
IP Rating	IP65
Housing	Die-Cast Aluminum & Clear Plastic Lens

WARRANTY

This product has a warranty for a period of 5 years from the date of purchase. The warranty is invalid in the case of improper installation, tampering, or removal of the Q.C. date label. Installation in an improper working environment or installation not according to the current edition of the National Electric Code also invalidates the warranty. Should this product fail during the warranty period, it will be replaced free of charge, subject to correct installation and return of the faulty unit. JL Lighting does not accept responsibility for any installation costs associated with the replacement of this product. This warranty is in addition to the statutory rights in the country of purchase. JL Lighting reserves the right to alter specifications without prior notice.

Magic Pro Area Light

Tunable Outdoor LED Area Light (F Series)



PRODUCT SPECIFICATION

Product Number	Watts	Lumens	CCT	Power	Dimmable	Color
SB-200WF3D50	100W/150W/200W	14000/21000/28000	5000K	AC120-277V	0-10V	Bronze/Brown
X	XW	X	X	X	X	X
X	XW	X	X	X	X	X

ORDERING GUIDE

SB	200	F3	D	50
Fixture Style	Max Output	Size	Color Temp	5000K

MOUNTING ACCESSORIES



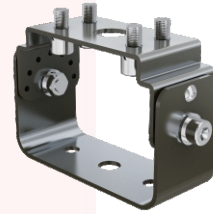
Adjusted Arm Mounting Kit



Arm Mounting Kit



Slip Fitter



Trunnion Mounting Kit



Bracket

CAUTION

- Risk of fire- make sure power is OFF before installation.
- Risk of electric shock- make installation with gloves.
- All wiring needs to be performed per National Electrical Code and local code by a qualified electrician.
- These lamps can be used with a light dimmer.
- High temperatures inside luminaire make certain line voltage corresponds with ballast's primary voltage.
- If the lamp or luminaire exhibits undesirable operation (i.e. buzzing, flickering, etc.), immediately turn off power and remove the lamp from luminaire and contact manufacturer.
- Luminaires should not be installed in narrow space to guarantee enough air convection.
- Do not make mass installation before sample testing.