

LED STRIP LIGHT PRO

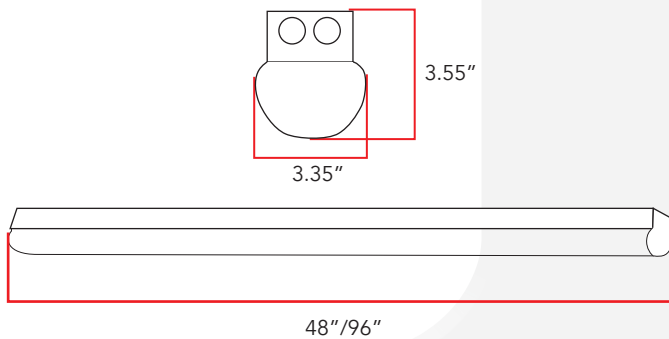
Tuneable Low Bay Strip Fixture



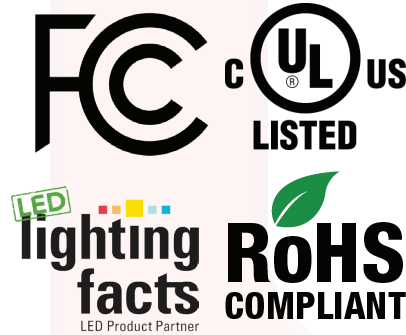
The LED Strip Light is mainly for commercial use and is the ideal replacement for fluorescent T8 and T5HO fixtures. This strip light can be used in warehouses, offices, garages, retail shops, and other commercial applications. Adjustable watt and color temperature make this fixture customizable to fit your preferences.



DIMENSIONS



CERTIFICATIONS



FEATURES

- Simple and secure installation
- Watt and Color Tuneable
- End to end mounting and wiring
- Seamless surface mounting application
- Linkable to 8FT strip fixture
- Diffused lighting distribution
- Minimize labor and recycling costs
- Acrylic drop lens that deliver low glare
- Espen dimmable driver
- Rated IP42
- 80% more energy saving compared to traditional lamps
- 5 Year Manufacturer's Warranty

COMMON TECHNICAL DATA

Color Temperature	4000K to 5000K
CRI	>80
Operation Temperature	-20°C to 50°C
Lumen efficiency	130 LPW
Input Voltage	AC100-277V
Frequency	50-60Hz
Power Supply Efficiency	90%
Rated Life	50,000 hrs.
Power Factor	More than 0.98
LED Type	SMT 2835
Dimming	0-10V

WARRANTY

This product has a warranty for a period of 5 years from the date of purchase. The warranty is invalid in the case of improper installation, tampering, or removal of the Q.C. date label. Installation in an improper working environment or installation not according to the current edition of the National Electric Code also invalidates the warranty. Should this product fail during the warranty period, it will be replaced free of charge, subject to correct installation and return of the faulty unit. JL Lighting does not accept responsibility for any installation costs associated with the replacement of this product. This warranty is in addition to the statutory rights in the country of purchase. JL Lighting reserves the right to alter specifications without prior notice.

LED STRIP LIGHT PRO

Tuneable Low Bay Strip Fixture



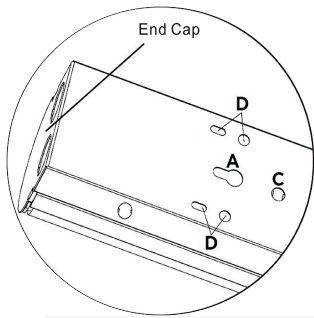
PRODUCT SPECIFICATION

Product Number	Adjustable Watts	Lumens	Adjustable CCT	Dimensions	Dimming
ST4FT40-CCT4-5K	24W/30W/40W	3,120/3,900/5,200	4000K-5000K	48" x 3.5" x 3.3"	0-10V
X	XW		X	X	X

ORDERING GUIDE

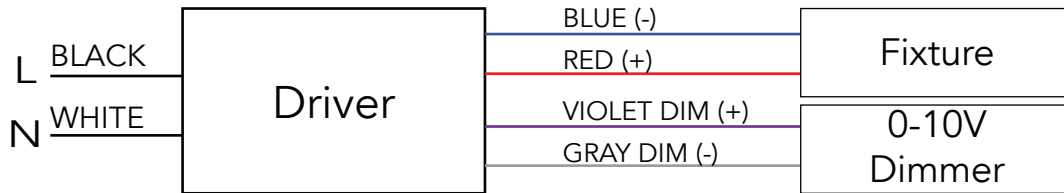


MOUNTING OPTIONS



- A - Keyhole Slots for Surface Mounting
- B - Wiring Knockouts
- C - T-Bar Clip Mounting Hole
- D - V-Hook Openings for Chain Mounting

DIMMING CONNECTION



CAUTION

- Risk of fire- do not install this lamp in a pre-heated luminaire.
- Risk of electric shock- make installation with gloves.
- Use only in place of fluorescent lamps specified on label.
- If the lamp or luminaire exhibits undesirable operation (i.e. buzzing, flickering, etc.), immediately turn off power and remove the lamp from luminaire and contact manufacturer.
- If lamp does not light when the luminaire is energized, remove this lamp from luminaire and contact manufacturer.
- Do not make mass installation before sample testing.