

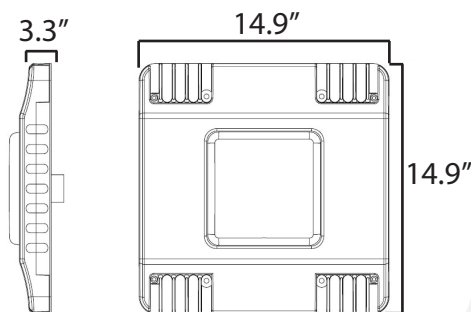
LED CANOPY LIGHT



The LED Canopy Light is the ideal lighting solution for illuminating buildings, walkways, entryways, petroleum service stations, convenience stores and drive-thru restaurants or banking locations.



DIMENSIONS



CERTIFICATIONS



FEATURES

- Stainless steel clips
- Optional 100% DR lens additive for impact resistance
- Built-in Constant Current LED Driver with High Efficient LED Module
- Suitable for damp or dry environments
- Excellent light distribution and uniformity
- Suitable for surface mounting
- **Rated IP65**
- 5 Year Manufacturer's Warranty

COMMON TECHNICAL DATA

Color Temperature	4000K-5000K
Beam Angle	120° degrees
Color Consistency	4 steps
CRI	More than 80
Operation Temperature	-20° C to 45°C
Efficiency	More than 104LPW
Input Voltage	100-277VAC
Frequency	50-60Hz
Power Factor	More than 0.99
Rated Life	50,000 hours
LED Type	SMT 3030 1.5 Philips LED
Housing	Aluminum & Plastic

WARRANTY

This product has a warranty for a period of 5 years from the date of purchase. The warranty is invalid in the case of improper installation, tampering, or removal of the Q.C. date label. Installation in an improper working environment or installation not according to the current edition of the National Electric Code also invalidates the warranty. Should this product fail during the warranty period, it will be replaced free of charge, subject to correct installation and return of the faulty unit. JL Lighting does not accept responsibility for any installation costs associated with the replacement of this product. This warranty is in addition to the statutory rights in the country of purchase. JL Lighting reserves the right to alter specifications without prior notice.

LED CANOPY LIGHT



PRODUCT SPECIFICATION

Product Number	Watt	CCT	Lumens	Housing	Driver	QTY/CTN
CP-100W	100W	4000K-5000K	10650	Aluminum & Plastic	Meanwell	1 pcs/CTN
CP-120W	120W	4000K-5000K	12780	Aluminum & Plastic	Meanwell	1 pcs/CTN
CP-150W	150W	4000K-5000K	15934	Aluminum & Plastic	Meanwell	1 pcs/CTN

ORDERING GUIDE

CP	100W/120W/150W	4000K-5000K
Product Code	Wattage	CCT

MOUNTING GUIDE

Mounting Procedure:

1. Turn OFF power at the breaker panel before installation.
2. Connect the AC wires and/or dimming wires.
3. Locate mounting holes on fixture and mount fixture onto ceiling.
4. Make sure fixture is secure.
5. Switch ON power to the fixture at the breaker panel.

CAUTION

- Avoid fire and electric shock.
- When installing the lighting fixture, please contact an electrician.
- Do not drill holes or change the internal lines when installing.
- Understand the structural features and dimensions of lighting before installation.
- Do not make mass installation before sample testing.